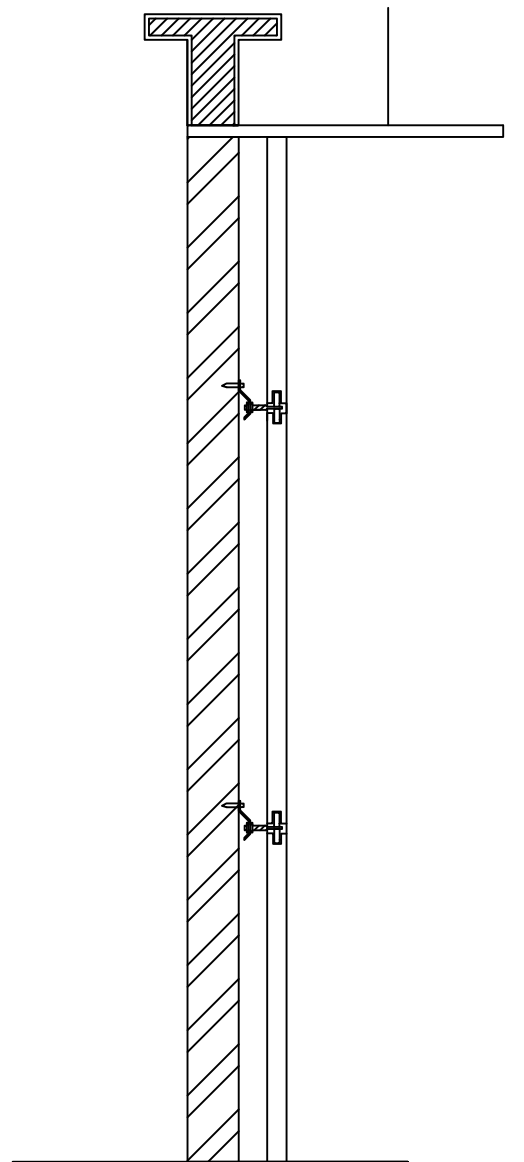
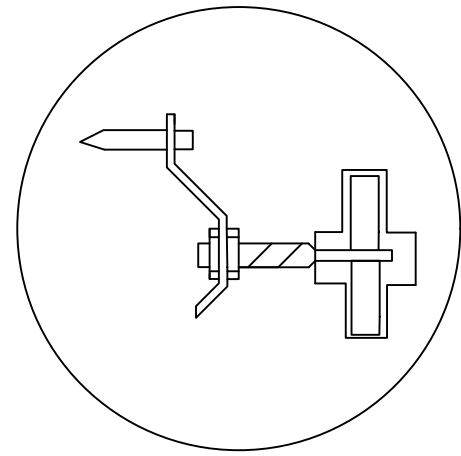
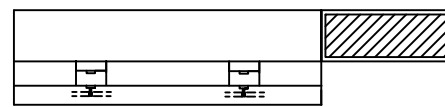
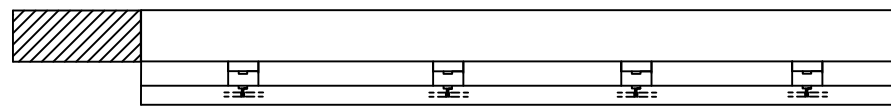


ELEVATION



SECTION



PLAN